



5U Rack Mount Shelf for up to 8 Single Video Input Units (RCK-PAVVM8) Quick Reference Guide

Box Contents

- (1) 5U Rack Mount Shelf (RCK-PAVVM8-xx)
- (4) Block-out covers
- (4) Handle screws
- (2) Handles
- (32) Mounting screws
- (1) Quick Reference Guide (this document)

Specifications

Dimensions and Weights	
Height	8.7 in (22.2 cm)
Width	19.0 in (48.3 cm)
Depth	1.4 in (3.7 cm)

Description

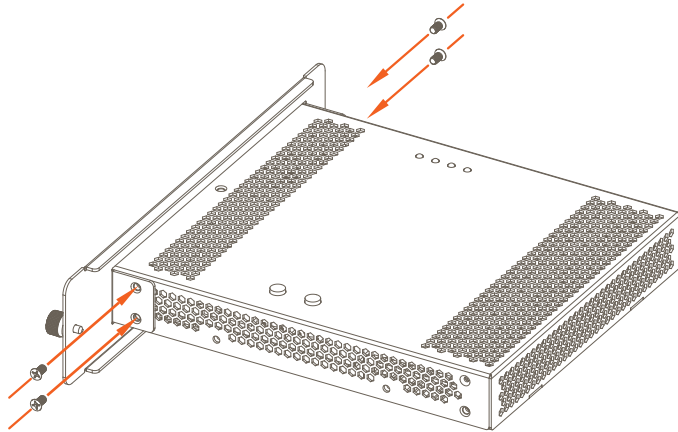
The RCK-PAVVM8 is designed to be used with the PAV-VIMIC devices. This rack shelf can also be used with any future Savant devices that have the same form factor. The PAV-VIMVP1x devices are not supported.

Installation

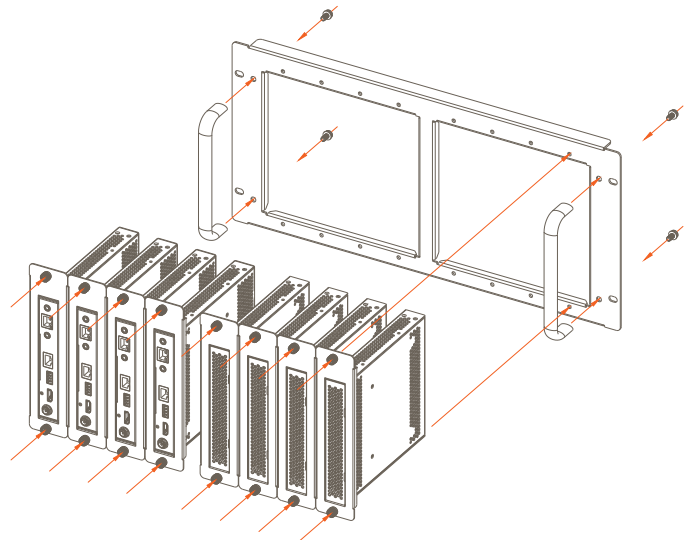
The PAV-VIMIC can be attached to this rack with the connections facing front or rear, to fit the needs of the installation.

To attach a PAV-VIMIC do the following:

1. Remove the brackets for all the PAV-VIMIC to be installed.
2. Remove the two case screws, one for each side at one end of the PAV-VIMIC.
3. Align the four screws with the bracket.
(Also using two mounting screws.)
4. Attach the bracket with the screws.
5. Repeat steps 2 to 4 for each PAV-VIMIC.



6. Align the handle with screw holes.
7. Attach the handle with the screws provided.
8. Repeat steps 6 and 7 for the second handle.
9. Install the shelf in the rack using rack screws (not supplied)



10. Install each PAV-VIMIC with the bracket attached using the captive screws on the bracket.

NOTES:

- Use the included Block-out covers for any empty slot.
- If the rack is not full it is recommended to space out the PAV-VIMICs
- Install the PAV-VIMIC with the power connection on the bottom. This will maximize heat dissipation.